

FEATURES

- DIP and SMD type
- Diode version are available for customer's selection
- UL approved
- Using at security system, modem and other telecommunication products



UL FILE NO.: E126157
CUL FILE NO.: E126157

ORDERING INFORMATION

R2 — D 1A 05
1 2 3 4

- | | |
|---|--|
| <p>1. Type
R2 : DIP Type
R3 : SMD Type</p> <p>2. Function
Nil : Standard Type
D : With Diode Type
H : High Insulation</p> | <p>3. Contact Arrangement
1A : 1 Form A(SPST-NO)
1B : 1 Form B(SPSTNC)
1C : 1 Form C(SPDT)
2A : 2 Form A(2PST-NO)</p> <p>4. Coil Nominal Voltage</p> |
|---|--|

COIL DATA

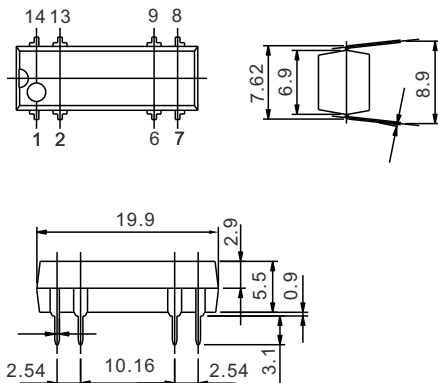
Contact form	Nominal Voltage(VDC)	Max. Operate Voltage(VDC)	Pull-in Voltage(VDC)	Dropout Voltage(VDC)	Coil $\pm 10\%$ Resistance(Ω)	Nominal input power(mW)
1A	5	16	3.75	0.8	500	50
	12	20	9.00	1.0	1000	144
	24	32	18.00	2.0	2150	268
2A	5	11	3.75	0.8	140	179
	12	20	9.00	1.0	500	288
	24	32	18.00	2.0	2150	268
1B	5	6	4.20	0.6	500	50
	12	14.5	9.00	1.0	1000	144
	24	29	18.00	2.0	2150	268
1C	5	11	3.75	0.8	200	125
	12	20	9.00	1.0	500	288
	24	32	18.00	2.0	2150	268

CONTACT RATING

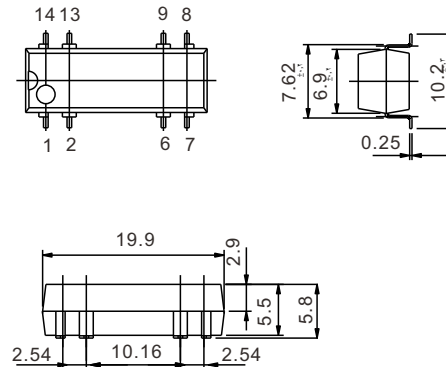
1PST-NO / 1PST-NC 2PST-NO	Switch Current		0.5ADC Max.	
	Carry Current		1.0ADC Max.	
1PDT	Switch Current	0.2ADC MAX.	Carry Current	0.5ADC Max.

DIMENSIONS:±0.2mm

DIP TYPE

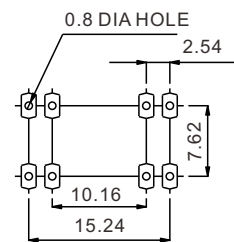


SMD TYPE

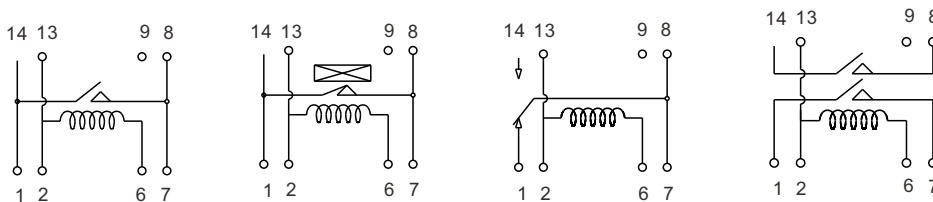


P.C.B LAYOUT

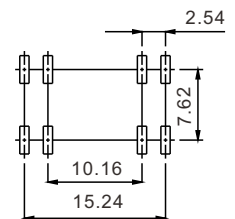
DIP TYPE



WRING DIAGRAM



SMD TYPE



GENERAL DATA

Insulation Resistance	1,000 MΩ Min. (DC 100V)
Dielectric Strength	250 VDC between contact.
	1,400 VDC between all elements.
Contact Material	Silver- Cadmium Oxide as standard.
Contact Resistance	150 mΩ max. (initial value)
Switching Power	1A, 2A, 1B : 10VA Max., 1C : 3VA Max.
Carry Current	1A, 2A, 1B : 1.0ADC Max., 1C : 0.5ADC Max.
Switching Power	1A, 2A, 1B : 10VA Max. 1C : 3VA Max.
Operation Time	1.0 ms max.
Release Time	0.5 ms max.
Temperature Range	- 40°C ~ + 85°C
Expected Life	With operation rate 30/min. Mechanical - 10,000,000 operations min. Electrical - 100,000 operations min. at rated load.
Weight	1.4 grams