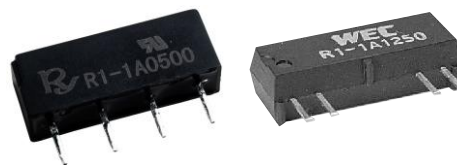


FEATURES

- Miniature reed relay, cost-effective, switching solution
- Pin out 1357 & 1267
- Diode version are available for customer selection
- Washable type
- Using at security system, modem and other telecommunication products



UL FILE NO.: E126157
CUL FILE NO.: E126157

ORDERING INFORMATION

R1 — D 1A 05 00
 1 2 3 4 5

1. Type
 2. Diode
 Nil : Standard Type
 D : With Diode
 3. Contact Arrangement
 1A : 1 Form A
 4. Coil Nominal Voltage
5. Terminals Type
 00:Pin Out 1357
 50:Pin Out 1267

CONTACT RATING

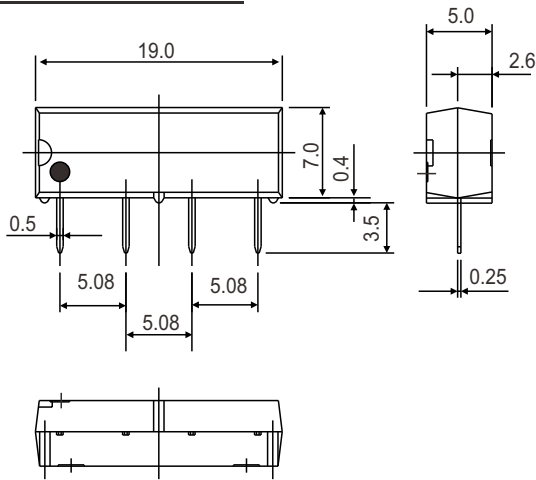
Resistive (Cos.θ = 1)	Switch Current	0.5 ADC Max.
	Carry Current	1.0 ADC Max.

COIL DATA

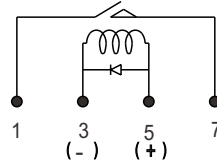
Coil Nominal Voltage (VDC)	Maximum Operate Voltage(V)	Resistance Tol.±10% (Ohms)	Maximum Pick Up Voltage(V)	Minimum Drop Out Voltage (V)	Nominal Input Power (mW)
5	16	500	3.75	0.8	50
12	20	1,000	9.0	1.0	144
24	32	2,150	18.0	2.0	268

DIMENSIONS: ±0.2mm

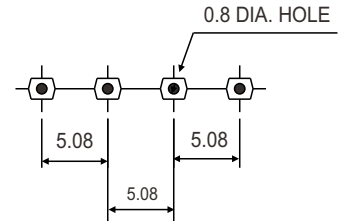
PIN OUT 1357



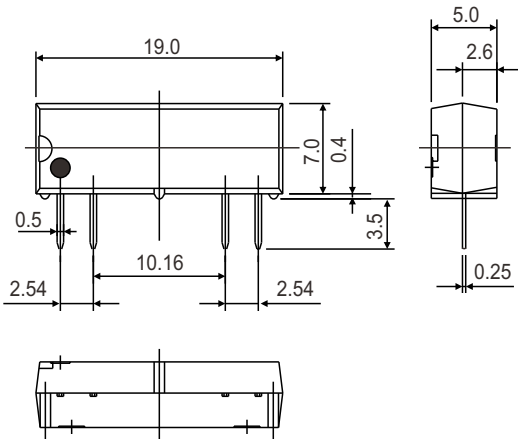
WIRING DIAGRAM
(BOTTOM VIEW)



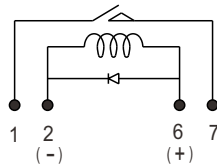
P.C.B LAYOUT
(BOTTOM VIEW)



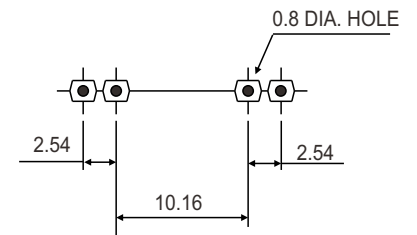
PIN OUT 1267



WIRING DIAGRAM
(BOTTOM VIEW)



P.C.B LAYOUT
(BOTTOM VIEW)



GENERAL DATA

Insulation Resistance	1,000 MΩ Min. (DC 100V)
Dielectric Strength	250 VDC between contact.
	1,400 VDC between all elements.
Contact Material	Silver- Cadmium Oxide as standard.
Contact Resistance	150 milliohms max. (initial value)
Switching Current	1A, 2A, 1B : 0.5ADC Max., 1C : 0.2ADC Max.
Carry Current	1A, 2A, 1B : 1.0ADC Max., 1C : 0.5ADC Max.
Switching Power	1A, 2A, 1B : 10VA Max. 1C : 3VA Max.
Operation Time	1 ms max.
Release Time	0.5 ms max.
Temperature Range	- 40°C ~ + 85°C
Expected Life	With operation rate 30/min. Mechanical - 10,000,000 operations min. Electrical - 100,000 operations min. at rated load.
Weight	1.4 grams